

# Tube 130 WHITE



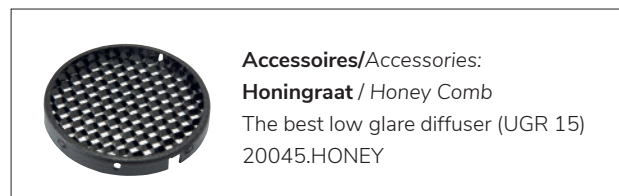
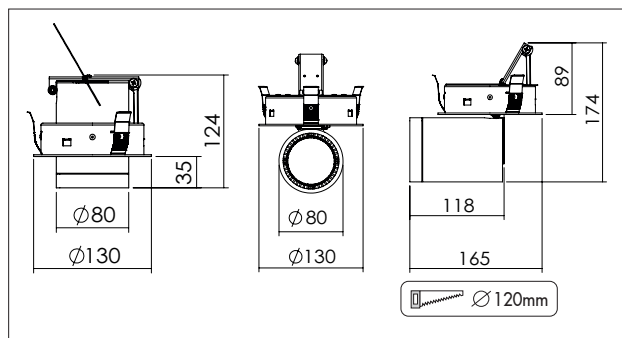
Ronde LED spotlight met uitschuifbare kop voor maximale flexibiliteit. 350° draaibaar en 90° kantelbaar. Gefacetteerde hoogglans 99,98% aluminium reflector met helder gehard glazen afscherming. Lage verblinding (UGR<17). Standaard verkrijgbaar in RAL9003 (wit). In combinatie met de optionele honingraat diffuser (UGR<14) zeer geschikt als accent en basisverlichting in hotels, en restaurants. Wordt geleverd inclusief externe driver. Directe aansluiting op 220-240VAC. Snelle en eenvoudige montage met veren. Onderhoudsarm en hoge levensduurverwachting (50.000 uur L90B10). Kleur stabiliteit, Mac Adam <3. Vijf jaar garantie.

Round tiltable LED spot light with extractable luminaire head for maximum flexibility. Rotates through 350° and pivots through 90°. Facetted glossy 99,98% aluminium reflector with clear tempered glass diffuser. Low glare (UGR<17). In combination with the optional honey comb diffuser (UGR<14) very suitable in hotels, bars and restaurants. Standard available in RAL9003 (white). Delivered including external driver. Direct connection to 220-240VAC. Low maintenance and high life expectancy (50.000 hours L90B10). Colour stability, Mac Adam <3. Fast and easy mounting with springs. Five years warranty.

Wattage Watts	Kleur Colour	Lumen* Lumen*	CRI CRI	Graden Degree	Gewicht (kg) Weight (kg)	Noodvoorz. (u) Emergency (h)	Artikel nr. Article no.	1-10V 1-10V	Dali Dali
9w	2700k	925	>80	20°	1,6	1/3	20045W.0920.270	20045W.0920.271	20045W.0920.272
13w	2700k	1225	>80	20°	1,6	1/3	20045W.1320.270	20045W.1320.271	20045W.1320.272
19w	2700k	1730	>80	20°	1,6	1/3	20045W.1920.270	20045W.1920.271	20045W.1920.272
28w	2700k	2240	>80	20°	1,6	1/3	20045W.2820.270	20045W.2820.271	20045W.2820.272
9w	2700k	895	>80	40°	1,6	1/3	20045W.0940.270	20045W.0940.271	20045W.0940.272
13w	2700k	1225	>80	40°	1,6	1/3	20045W.1340.270	20045W.1340.271	20045W.1340.272
19w	2700k	1680	>80	40°	1,6	1/3	20045W.1940.270	20045W.1940.271	20045W.1940.272
28w	2700k	2170	>80	40°	1,6	1/3	20045W.2840.270	20045W.2840.271	20045W.2840.272
9w	3000k	975	>80	20°	1,6	1/3	20045W.0920.30	20045W.0920.31	20045W.0920.32
13w	3000k	1300	>80	20°	1,6	1/3	20045W.1320.30	20045W.1320.31	20045W.1320.32
19w	3000k	1800	>80	20°	1,6	1/3	20045W.1920.30	20045W.1920.31	20045W.1920.32
28w	3000k	2340	>80	20°	1,6	1/3	20045W.2820.30	20045W.2820.31	20045W.2820.32
9w	3000k	980	>80	40°	1,6	1/3	20045W.0940.30	20045W.0940.31	20045W.0940.32
13w	3000k	1365	>80	40°	1,6	1/3	20045W.1340.30	20045W.1340.31	20045W.1340.32
19w	3000k	1890	>80	40°	1,6	1/3	20045W.1940.30	20045W.1940.31	20045W.1940.32
28w	3000k	2520	>80	40°	1,6	1/3	20045W.2840.30	20045W.2840.31	20045W.2840.32
9w	4000k	1025	>80	20°	1,6	1/3	20045W.0920.40	20045W.0920.41	20045W.0920.42
13w	4000k	1365	>80	20°	1,6	1/3	20045W.1320.40	20045W.1320.41	20045W.1320.42
19w	4000k	1890	>80	20°	1,6	1/3	20045W.1920.40	20045W.1920.41	20045W.1920.42
28w	4000k	2455	>80	20°	1,6	1/3	20045W.2820.40	20045W.2820.41	20045W.2820.42
9w	4000k	1025	>80	40°	1,6	1/3	20045W.0940.40	20045W.0940.41	20045W.0940.42
13w	4000k	1430	>80	40°	1,6	1/3	20045W.1340.40	20045W.1340.41	20045W.1340.42
19w	4000k	1985	>80	40°	1,6	1/3	20045W.1940.40	20045W.1940.41	20045W.1940.42
28w	4000k	2645	>80	40°	1,6	1/3	20045W.2840.40	20045W.2840.41	20045W.2840.42

\* Lichtstroom van armatuur, tolerantie van +/- 10%

\* Luminaire luminous flux, tolerance of +/- 10%



SPOTS SPOTS

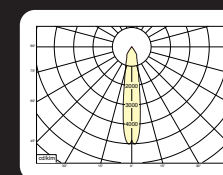


### Opties:

- 1,5 meter snoer met 3-polige Schuko stekker
- 0,5 meter snoer + GST18i3® connector (niet - dimbaar)
- 0,5 meter snoer + GST18i3® and BST14i2 connector (dim)
- 0,5 meter snoer + GST18i5® Blue connector male (dim)
- 2700K, 3500k, 5000k of hogere CRI waarde 90/97
- Vlees, brood of Crisp White

### Options:

- 1,5m cable with Schuko 3-pin plug
- 0,5 meter cable + GST18i3® connector (non - dimmable)
- 0,5 meter cable + GST18i3® and BST14i2 connector (dim)
- 0,5 meter cable + GST18i5® Blue connector male (dim)
- 2700k, 3500k, 5000k or higher CRI values 90/97
- Meat, bread or Crisp White



**20045W.1320.270**  
 13w 2700k 20° 1225lm  
 ηLB 70%

**melis lighting**