

Vierkante pendel armatuur met decoratieve rand (55mm) en directe verlichting. Aluminium behuizing in structuur lak zwart (RAL 9005). Homogeen verlichte diffuser van dual satin opaal PMMA. Lage verblinding op maximaal vermogen (UGR<21). Gelijke licht dichtheid tussen verschillende afmetingen. Inclusief staakabel (3m) en aansluitsnoer (3,5m). Onderhoudsarm en hoge levensduurverwachting (50.000 uur L80B10). Kleur stabiliteit, Mac Adam <3. Vijf jaar garantie.

Square suspended luminaire with dropped decorative trim (55mm) and direct light. Aluminium housing painted in structured black (RAL9005) completely homogeneously illuminated with dual satinised PMMA cover. Low glare at full power (UGR<21). Same light density for all sizes. Delivered including steel cable (3m) and power cables (3,5m). Low maintenance and high life expectancy (50.000 hours L80B10). Colour stability, Mac Adam <3. Warranty 5 years.

## Micro Prisma / Micro Prism

Wattage Watts	Kleur Colour	Lumen* Lumen*	CRI (Ra) CRI (Ra)	Lengte (mm) Length (mm)	Breedte (mm) Width (mm)	Hoogte (mm) Height (mm)	Gewicht (kg) Weight (kg)	Artikel nr. Article no.	Dali
55w	3000k	5500	>80	600	600	80	8,4	27013_M.55.30	27013_M.55.32
83w	3000k	8300	>80	900	900	80	14,6	27013_M.83.30	27013_M.83.32
110w	3000k	11.000	>80	1200	1200	80	17	27013_M.110.30	27013_M.110.32
97w	3000k	9700	>80	1500	600	80	14,7	27013_M.97.30	27013_M.97.32
111w	3000k	11.000	>80	1500	900	80	16,8	27013_M.111.30	27013_M.111.32
138w	3000k	13.800	>80	1500	1500	80	21	27013_M.138.30	27013_M.138.32
55w	4000k	5775	>80	600	600	80	8,4	27013_M.55.40	27013_M.55.42
83w	4000k	8715	>80	900	900	80	14,6	27013_M.83.40	27013_M.83.42
110w	4000k	11.870	>80	1200	1200	80	17	27013_M.110.40	27013_M.110.42
97w	4000k	10.185	>80	1500	600	80	14,7	27013_M.97.40	27013_M.97.42
111w	4000k	11.550	>80	1500	900	80	16,8	27013_M.111.40	27013_M.111.42
138w	4000k	14.490	>80	1500	1500	80	21	27013_M.138.40	27013_M.138.42

## Opaal / Opal

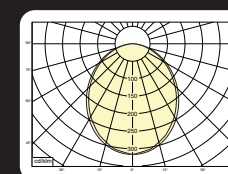
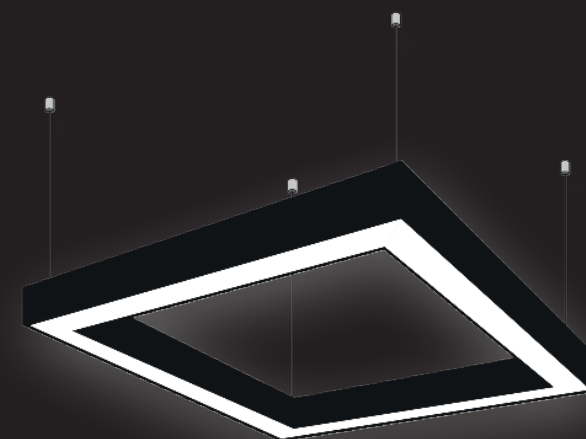
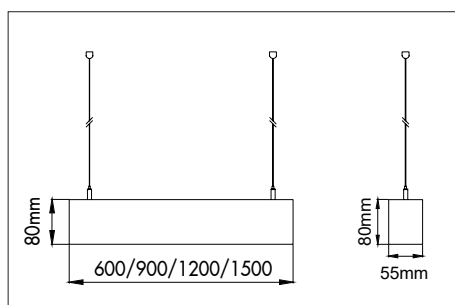
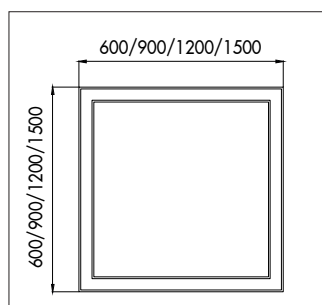
Wattage Watts	Kleur Colour	Lumen* Lumen*	CRI (Ra) CRI (Ra)	Lengte (mm) Length (mm)	Breedte (mm) Width (mm)	Hoogte (mm) Height (mm)	Gewicht (kg) Weight (kg)	Artikel nr. Article no.	Dali
55w	3000k	5225	>80	600	600	80	8,4	27013_P.55.30	27013_P.55.32
83w	3000k	7885	>80	900	900	80	14,6	27013_P.83.30	27013_P.83.32
110w	3000k	10.450	>80	1200	1200	80	17	27013_P.110.30	27013_P.110.32
97w	3000k	9215	>80	1500	600	80	14,7	27013_P.97.30	27013_P.97.32
111w	3000k	10.450	>80	1500	900	80	16,8	27013_P.111.30	27013_P.111.32
138w	3000k	13.110	>80	1500	1500	80	21	27013_P.138.30	27013_P.138.32
55w	4000k	5500	>80	600	600	80	8,4	27013_P.55.40	27013_P.55.42
83w	4000k	8300	>80	900	900	80	14,6	27013_P.83.40	27013_P.83.42
110w	4000k	11000	>80	1200	1200	80	17	27013_P.110.40	27013_P.110.42
97w	4000k	9700	>80	1500	600	80	14,7	27013_P.97.40	27013_P.97.42
111w	4000k	11.000	>80	1500	900	80	16,8	27013_P.111.40	27013_P.111.42
138w	4000k	13.800	>80	1500	1500	80	21	27013_P.138.40	27013_P.138.42

\* Lichtstroom van armatuur, tolerantie van +/- 10%

\* Luminaire luminous flux, tolerance of +/- 10%

\_ W=wit / B=zwart

\_ W=white / B=black



27013.WM.55.30

55w 3000k 5500lm

ηLB 100%

melis lighting