

Skope 186 BLACK

PF>0,95



IP40



RoHS



SPOTS SPOTS

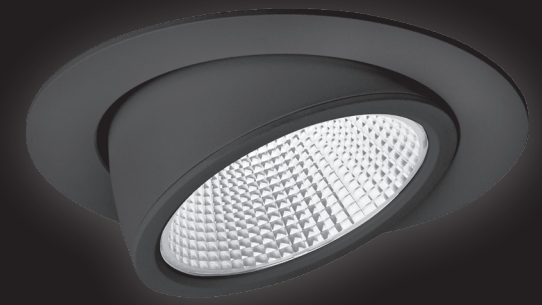
Grote krachtige draaibare (350°) en kantelbare (80°) LED spot. Voorzien van LED met hoge lichtopbrengst (max. 141lm/w). Met lichtgewicht innovatief heat pipe systeem voor passieve koeling van de LED. Behuizing gemaakt van zwart (RAL 9005) gelakt gegoten aluminium. Directe aansluiting op 220-240VAC. Onderhoudsarm en hoge levensduurverwachting (50.000 uur L90B10). Kleur stabiliteit, Mac Adam <3. Snelle en eenvoudige montage met veren. Vijf jaar garantie.

Round LED spot light for powerful general or accent lighting. Rotates through 350° and pivots through 80°. With high efficiency LED (max. 141lm/w). Faceted glossy 99,98% aluminium reflector with clear tempered glass diffuser. Very suitable as spot light in shops. Standard available in black (RAL 9005). Direct connection to 220-240VAC. Low maintenance and high life expectancy (50.000 hours L90B10). Colour stability, Mac Adam <3. Fast and easy mounting with springs. Five years warranty.

Wattage Watts	Kleur Colour	Lumen* Lumen*	CRI CRI	Graden Degree	Gewicht (kg) Weight (kg)	Noodvoorz. (u) Emergency (h)	Artikel nr.* Article no.	1-10V 1-10V	Dali Dali
18w	3000k	2425	>80	20°	1,4	1/3	20035B.18.20.30	20035B.18.20.31	20035B.18.20.32
25w	3000k	3260	>80	20°	1,4	1/3	20035B.25.20.30	20035B.25.20.31	20035B.25.20.32
33w	3000k	4030	>80	20°	1,4	1/3	20035B.33.20.30	20035B.33.20.31	20035B.33.20.32
39w	3000k	4580	>80	20°	1,4	1/3	20035B.39.20.30	20035B.39.20.31	20035B.39.20.32
45w	3000k	5100	>80	20°	1,4	1/3	20035B.45.20.30	20035B.45.20.31	20035B.45.20.32
54w	3000k	5760	>80	20°	1,4	1/3	20035B.54.20.30		20035B.54.20.32
62w	3000k	6370	>80	20°	1,4	1/3	20035B.62.20.30		20035B.62.20.32
18w	3000k	2570	>80	40°	1,4	1/3	20035B.18.40.30	20035B.18.40.31	20035B.18.40.32
25w	3000k	3460	>80	40°	1,4	1/3	20035B.25.40.30	20035B.25.40.31	20035B.25.40.32
33w	3000k	4280	>80	40°	1,4	1/3	20035B.33.40.30	20035B.33.40.31	20035B.33.40.32
39w	3000k	4860	>80	40°	1,4	1/3	20035B.39.40.30	20035B.39.40.31	20035B.39.40.32
18w	4000k	2545	>80	20°	1,4	1/3	20035B.18.20.40	20035B.18.20.41	20035B.18.20.42
25w	4000k	3430	>80	20°	1,4	1/3	20035B.25.20.40	20035B.25.20.41	20035B.25.20.42
33w	4000k	4240	>80	20°	1,4	1/3	20035B.33.20.40	20035B.33.20.41	20035B.33.20.42
39w	4000k	4820	>80	20°	1,4	1/3	20035B.39.20.40	20035B.39.20.41	20035B.39.20.42
45w	4000k	5380	>80	20°	1,4	1/3	20035B.45.20.40	20035B.45.20.41	20035B.45.20.42
54w	4000k	6070	>80	20°	1,4	1/3	20035B.54.20.40		20035B.54.20.42
62w	4000k	6700	>80	20°	1,4	1/3	20035B.62.20.40		20035B.62.20.42
18w	4000k	2700	>80	40°	1,4	1/3	20035B.18.40.40	20035B.18.40.41	20035B.18.40.42
25w	4000k	3640	>80	40°	1,4	1/3	20035B.25.40.40	20035B.25.40.41	20035B.25.40.42
33w	4000k	4500	>80	40°	1,4	1/3	20035B.33.40.40	20035B.33.40.41	20035B.33.40.42
39w	4000k	5120	>80	40°	1,4	1/3	20035B.39.40.40	20035B.39.40.41	20035B.39.40.42

* Lichtstroom van armatuur, tolerantie van +/- 10%

* Luminaire luminous flux, tolerance of +/- 10%

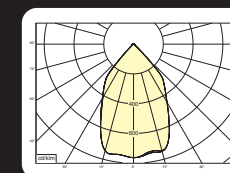
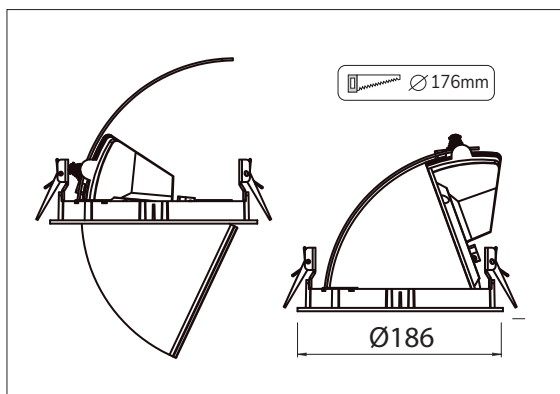


Opties:

- 1,5 meter snoer met 3-polige Schuko stekker
- 0,5 meter snoer + GST18i3® connector (niet - dimbaar)
- 0,5 meter snoer + GST18i3® and BST14i2 connector (dim)
- 0,5 meter snoer + GST18i5® Blue connector male (dim)
- 2700K, 3500k, 5000k of hogere CRI waarde 90/97
- Vlees, brood of Crisp White

Options:

- 1,5m cable with Schuko 3-pin plug
- 0,5 meter cable + GST18i3® connector (non - dimmable)
- 0,5 meter cable + GST18i3® and BST14i2 connector (dim)
- 0,5 meter cable + GST18i5® Blue connector male (dim)
- 2700k, 3500k, 5000k or higher CRI values 90/97
- Meat, bread or Crisp White



20035B.18.20.40

18W 2545m 4000k 20°
ηLB 80,0%

melis lighting