

Prijsgunstig inlegarmatuur met hoog armatuur rendement, met standaard afmetingen voor systeemplafonds (M600). Vervaardigd uit witgelakt (RAL 9003) plaatstaal. Verkrijgbaar met opalen (UGR=20) of micro prisma (UGR=18) afscherming met brede uitstralingshoek >95°. Voorzien van een antimicrobieel coating. Hierdoor zeer goed toepasbaar in werkruimtes waar hoge eisen aan hygiëne worden gesteld. Onderhoudsarm en hoge levensduurverwachting (50.000 uur L90B10). Kleur stabiliteit, Mac Adam <3. Vijf jaar garantie.

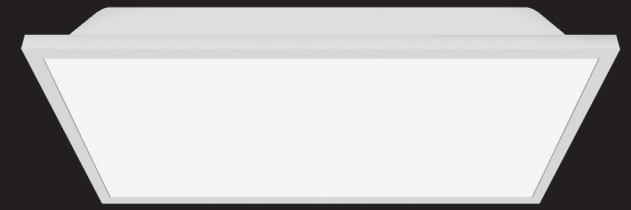
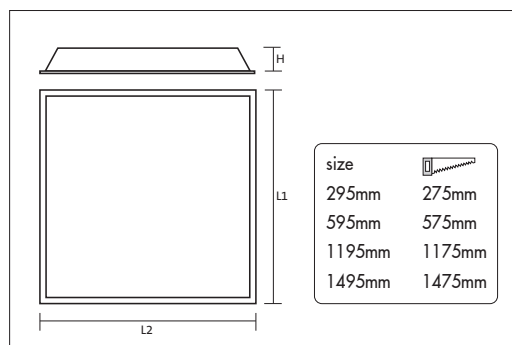
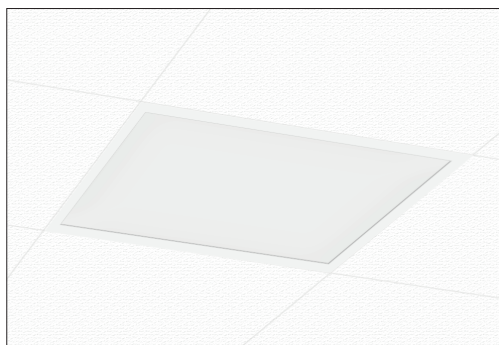
Economically priced recessed luminaire with high luminaire efficiency and standard measurements for suspended ceilings (M600). Housing made of white painted (RAL 9003) sheet metal. With opal (UGR=20) or micro prism diffuser (UGR=18) with wide beam angle >95°. Comes with an antimicrobial coating. Therefore very suitable for working areas where there are high demands for hygiene. Low maintenance and high life expectancy (50.000 hours L90B10). Colour stability, Mac Adam <3. Warranty 5 years.

## Micro Prisma Comfort / Micro Prism Comfort

Wattage Watts	Kleur Colour	Lumen Lumen	CRI (Ra) CRI (Ra)	B (mm) W (mm)	L (mm) L (mm)	H (mm) H (mm)	kg kg	Noodvoorz. (u) Emergency (h)	Artikel nr. Article no.	Dali Dali	Casambi Casambi
18w	3000k	2070	>80	295	595	65	1,3	1/3	29719MA.18.30	29719MA.18.32	29719MA.18.35
26w	3000k	2990	>80	295	595	65	1,3	1/3	29719MA.26.30	29719MA.26.32	29719MA.26.35
30w	3000k	3450	>80	595	595	65	2,6	1/3	29719MB.30.30	29719MB.30.32	29719MB.30.35
40w	3000k	4600	>80	595	595	65	2,6	1/3	29719MB.40.30	29719MB.40.32	29719MB.40.35
45w	3000k	5175	>80	595	595	65	2,6	1/3	29719MB.45.30	29719MB.45.32	29719MB.45.35
30w	3000k	3450	>80	295	1195	65	2,6	1/3	29719MC.30.30	29719MC.30.32	29719MC.30.35
40w	3000k	4600	>80	295	1195	65	2,6	1/3	29719MC.40.30	29719MC.40.32	29719MC.40.35
45w	3000k	5175	>80	295	1195	65	2,6	1/3	29719MC.45.30	29719MC.45.32	29719MC.45.35
38w	3000k	4370	>80	295	1495	65	2,6	1/3	29719MD.38.30	29719MD.38.32	29719MD.38.35
50w	3000k	5750	>80	295	1495	65	2,6	1/3	29719MD.50.30	29719MD.50.32	29719MD.50.35
76w	3000k	8740	>80	595	1195	65	5,2	1/3	29719ME.76.30	29719ME.76.32	29719ME.76.35
18w	4000k	2175	>80	295	595	65	1,3	1/3	29719MA.18.40	29719MA.18.42	29719MA.18.45
26w	4000k	3140	>80	295	595	65	1,3	1/3	29719MA.26.40	29719MA.26.42	29719MA.26.45
30w	4000k	3620	>80	595	595	65	2,6	1/3	29719MB.30.40	29719MB.30.42	29719MB.30.45
40w	4000k	4830	>80	595	595	65	2,6	1/3	29719MB.40.40	29719MB.40.42	29719MB.40.45
45w	4000k	5430	>80	595	595	65	2,6	1/3	29719MB.45.40	29719MB.45.42	29719MB.45.45
30w	4000k	3620	>80	295	1195	65	2,6	1/3	29719MC.30.40	29719MC.30.42	29719MC.30.45
40w	4000k	4830	>80	295	1195	65	2,6	1/3	29719MC.40.40	29719MC.40.42	29719MC.40.45
45w	4000k	5430	>80	295	1195	65	2,6	1/3	29719MC.45.40	29719MC.45.42	29719MC.45.45
38w	4000k	4590	>80	295	1495	65	2,6	1/3	29719MD.38.40	29719MD.38.42	29719MD.38.45
50w	4000k	6035	>80	295	1495	65	2,6	1/3	29719MD.50.40	29719MD.50.42	29719MD.50.45
76w	4000k	9175	>80	595	1195	65	5,2	1/3	29719ME.76.40	29719ME.76.42	29719ME.76.45

\* Lichtstroom van armatuur, tolerantie van +/- 10%

\* Luminaire luminous flux, tolerance of +/- 10%

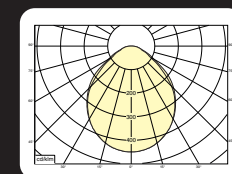


### Opties:

- GST18i3® connector + BST14i2 connector
- GST18i5® connector
- Andere RAL kleur

### Optional:

- GST18i3® connector + BST14i2 connector
- GST18i5® connector
- Different RAL colour



**29719MA.18.30**

18w 3000k 2070lm  
ηLB 100%

## Opaal / Opal

Wattage Watts	Kleur Colour	Lumen Lumen	CRI (Ra) CRI (Ra)	B (mm) W (mm)	L (mm) L (mm)	H (mm) H (mm)	kg kg	Noodvoorz. (u) Emergency (h)	Artikel nr. Article no.	Dali Dali	Casambi Casambi
18w	3000k	1865	>80	295	595	65	1,3	1/3	29719OPA.18.30	29719OPA.18.32	29719OPA.18.35
26w	3000k	2690	>80	295	595	65	1,3	1/3	29719OPA.26.30	29719OPA.26.32	29719OPA.26.35
30w	3000k	3105	>80	595	595	65	2,6	1/3	29719OPB.30.30	29719OPB.30.32	29719OPB.30.35
40w	3000k	4140	>80	595	595	65	2,6	1/3	29719OPB.40.30	29719OPB.40.32	29719OPB.40.35
45w	3000k	4660	>80	595	595	65	2,6	1/3	29719OPB.45.30	29719OPB.45.32	29719OPB.45.35
30w	3000k	3105	>80	295	1195	65	2,6	1/3	29719OPC.30.30	29719OPC.30.32	29719OPC.30.35
40w	3000k	4140	>80	295	1195	65	2,6	1/3	29719OPC.40.30	29719OPC.40.32	29719OPC.40.35
45w	3000k	4660	>80	295	1195	65	2,6	1/3	29719OPC.45.30	29719OPC.45.32	29719OPC.45.35
38w	3000k	3930	>80	295	1495	65	2,6	1/3	29719OPD.38.30	29719OPD.38.32	29719OPD.38.35
50w	3000k	5175	>80	295	1495	65	2,6	1/3	29719OPD.50.30	29719OPD.50.32	29719OPD.50.35
76w	3000k	8305	>80	595	1195	65	5,2	1/3	29719OPE.76.30	29719OPE.76.32	29719OPE.76.35
18w	4000k	1960	>80	295	595	65	1,3	1/3	29719OPA.18.40	29719OPA.18.42	29719OPA.18.45
26w	4000k	2825	>80	295	595	65	1,3	1/3	29719OPA.26.40	29719OPA.26.42	29719OPA.26.45
30w	4000k	3260	>80	595	595	65	2,6	1/3	29719OPB.30.40	29719OPB.30.42	29719OPB.30.45
40w	4000k	4345	>80	595	595	65	2,6	1/3	29719OPB.40.40	29719OPB.40.42	29719OPB.40.45
45w	4000k	4885	>80	595	595	65	2,6	1/3	29719OPB.45.40	29719OPB.45.42	29719OPB.45.45
30w	4000k	3260	>80	295	1195	65	2,6	1/3	29719OPC.30.40	29719OPC.30.42	29719OPC.30.45
40w	4000k	4345	>80	295	1195	65	2,6	1/3	29719OPC.40.40	29719OPC.40.42	29719OPC.40.45
45w	4000k	4885	>80	295	1195	65	2,6	1/3	29719OPC.45.40	29719OPC.45.42	29719OPC.45.45
38w	4000k	4130	>80	295	1495	65	2,6	1/3	29719OPD.38.40	29719OPD.38.42	29719OPD.38.45
50w	4000k	5430	>80	295	1495	65	2,6	1/3	29719OPD.50.40	29719OPD.50.42	29719OPD.50.45
76w	4000k	8715	>80	595	1195	65	5,2	1/3	29719OPE.76.40	29719OPE.76.42	29719OPE.76.45

\* Lichtstroom van armatuur, tolerantie van +/- 10%

\* Luminaire luminous flux, tolerance of +/- 10%