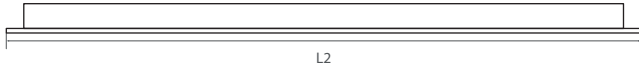
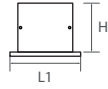
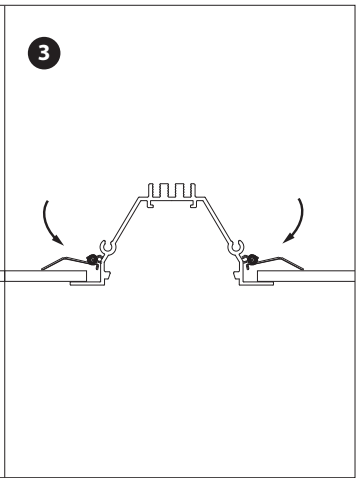
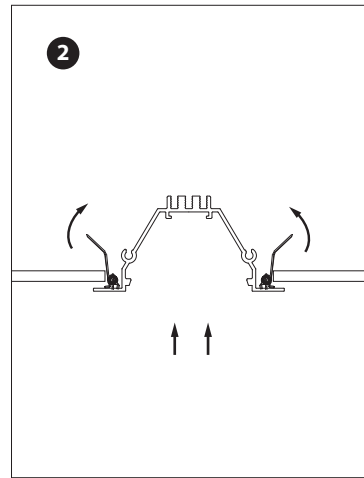
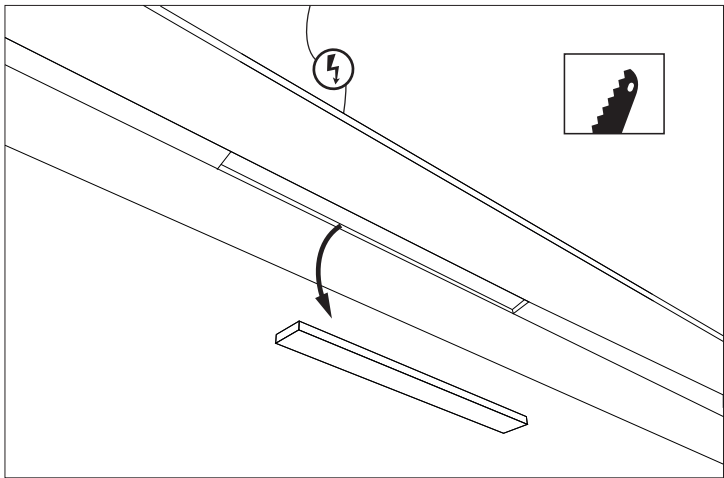


MANUAL PLANE RECESSED



L1(mm)	L2(mm)	H(mm)	⚡(mm)
73	XXX	35	60xXXX

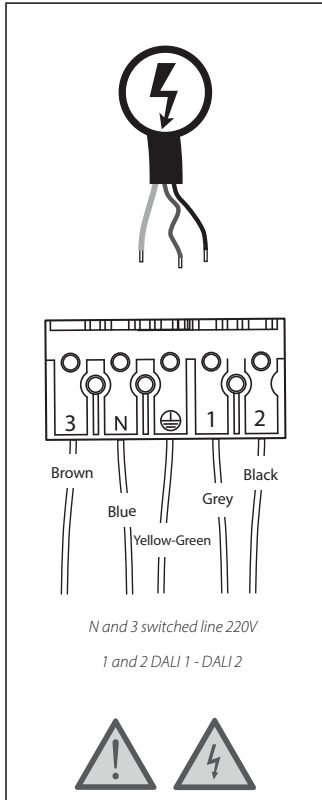
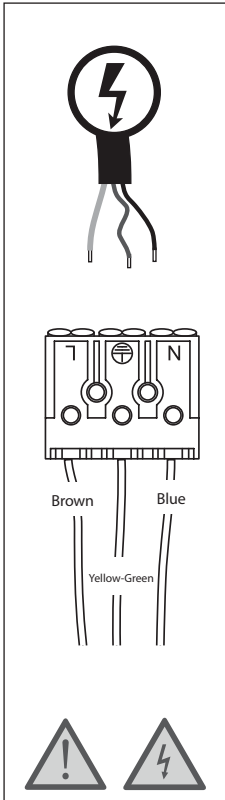
1



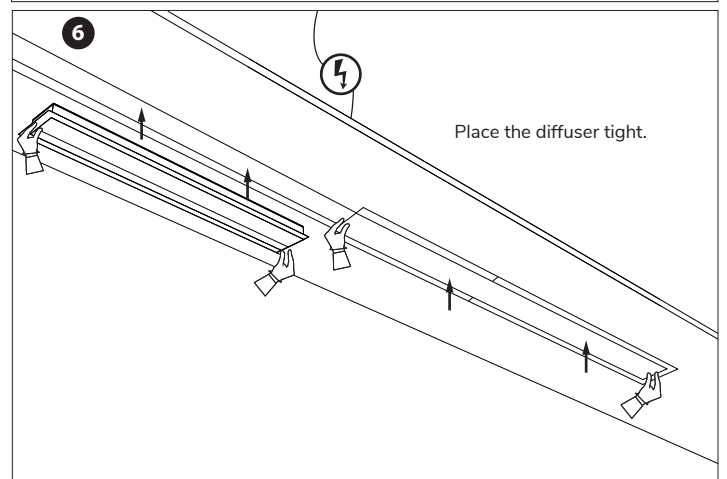
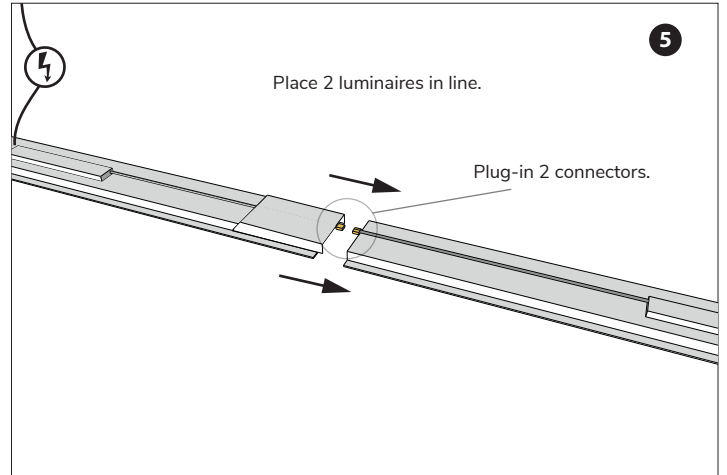
4

Make mains connection.

DALI



5



6