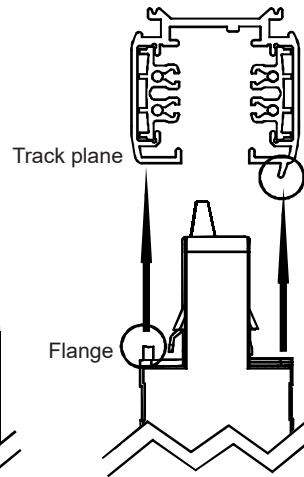
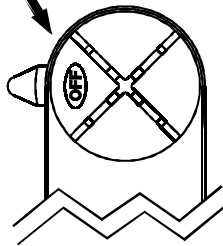


1. Make sure the positions are exactly the same as the picture shows before installation.

Power knob (off position)

Handgrip



2. The adaptor flange must be in the same direction as the track plane.

Cautions

<p>NOT ALLOWED to rotate the power knob</p> <p>Hand Grip Position</p> <p>In this case it's not allowed to rotate the power knob.</p>	<p>OK to rotate the power knob</p> <p>Hand Grip Position</p> <p>Ca n rotate the power knob when it's the above positions situation.</p>
(Before Installation)	
<p>NOT ALLOWED to rotate the hand grip</p> <p>Power knob in position (phase 1/phase 2/phase 3), rotate the hand grip.</p> <p>Not allowed to rotate the hand grip when it's above positions situation.</p>	<p>OK to revolve the hand grip</p> <p>Power knob position(OFF)</p> <p>Only when the power knob is in the above position then rotate the hand grip.</p>
(Before Remove)	

