

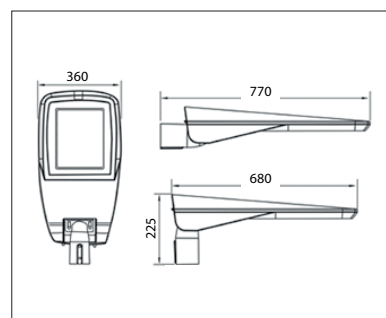
Straatlamp met modern design in zwaar vermogen range met zeer gevarieerde mogelijkheden. Grijs gelakte behuizing (RAL 9023) gemaakt van zoutwaterbestendig corrosievrij gegoten aluminium (EPA 0,12 m<sup>2</sup>). Zeer geschikt voor hoge lichtmasten. Gehard glazen afscherming (5mm) ter bescherming van de LEDs en optieken. Hoog visueel comfort voor passanten dankzij lage verblinding. Geen lichtvervuiling en maximaal rendement door gepatenteerde lens optieken. Kantelbare beugel. Kleur temperatuur 4000k (CRI >70) optioneel 5700k. Uitgebreide keus aan standaard optieken. Behuizing voorzien van 10kV overspanningsbeveiliging. Optioneel te programmeren met CLO instelling (Constant Light Output gedurende levensduur). 500mm kabel. Onderhoudsarm en hoge levensduurverwachting (80.000 uur L90B10F10) bij omgevingstemperatuur -25...+40°C. Kleur stabiliteit, Mac Adam <5. Vijf jaar garantie.

Streetlamp with modern design maximum power range. Grey painted housing (RAL 9023) made of saltwater proof die casted aluminium (EPA 0,12 m<sup>2</sup>). Very suitable for high poles. Tempered glass (5mm) protecting the LEDs and optics. High visual comfort for road users thanks to low glare level. No light pollution and maximum efficiency due to targeted patented optics. Tilttable bracket. Colour temperature 4000k (CRI>70) optionally 5700k. Large variety of standard optics. With build-in 10kV surge protector. Optionally programmable with CLO setting (Constant Light Output during operation). 500mm cable. Low maintenance and high life expectancy (80.000 hours L90B10F10) at ambient temperature of -25...+40. Colour stability, Mac Adam <5. Warranty 5 years.

| Wattage<br>Watts | Lumen*<br>Lumen* | Kleur<br>Colour | CRI<br>CRI | Gewicht (kg)<br>Weight (kg) | Klasse I<br>Class I | Klasse II<br>Class II |
|------------------|------------------|-----------------|------------|-----------------------------|---------------------|-----------------------|
| 34w              | 5200             | 4000k           | >70        | 7,0                         | M32D350.41._        | M32D350.42._          |
| 52w              | 7955             | 4000k           | >70        | 7,0                         | M32D530.41._        | M32D530.42._          |
| 70w              | 10710            | 4000k           | >70        | 7,0                         | M32D700.41._        | M32D700.42._          |
| 103w             | 15760            | 4000k           | >70        | 7,0                         | M32D1000.41._       | M32D1000.42._         |
| 51w              | 7800             | 4000k           | >70        | 7,0                         | M48D350.41._        | M48D350.42._          |
| 79w              | 12085            | 4000k           | >70        | 7,0                         | M48D530.41._        | M48D530.42._          |
| 90w              | 13770            | 4000k           | >70        | 7,0                         | M48D600.41._        | M48D600.42._          |
| 106w             | 16220            | 4000k           | >70        | 7,0                         | M48D700.41._        | M48D700.42._          |
| 155w             | 23715            | 4000k           | >70        | 7,0                         | M48D1000.41._       | M48D1000.42._         |
| 68w              | 10400            | 4000k           | >70        | 7,0                         | M64D350.41._        | M64D350.42._          |
| 105w             | 16065            | 4000k           | >70        | 7,0                         | M64D530.41._        | M64D530.42._          |
| 119w             | 18200            | 4000k           | >70        | 7,0                         | M64D600.41._        | M64D600.42._          |
| 141w             | 21570            | 4000k           | >70        | 7,0                         | M64D700.41._        | M64D700.42._          |
| 171w             | 26160            | 4000k           | >70        | 7,0                         | M64D830.41._        | M64D830.42._          |
| 131w             | 20045            | 4000k           | >70        | 7,0                         | M80D530.41._        | M80D530.42._          |
| 149w             | 22800            | 4000k           | >70        | 7,0                         | M80D600.41._        | M80D600.42._          |
| 176w             | 26930            | 4000k           | >70        | 7,0                         | M80D700.41._        | M80D700.42._          |

\* = LED lumen, afhankelijk van optiek kan een netto efficiency van 141-165lm/w behaald worden.

\* = LED lumen, depending on the optic a nett efficacy between 141-165lm/w is achieved.



#### Opties:

- 1-10V / DALI
- Virtueel middernacht
- Draadloze bediening
- Power-line communicatie
- lijn schakelaar

#### Toepassingen:

- Parkeerplaatsen
- Gevelverlichting

#### Optional:

- 1-10V / DALI
- Virtual midnight
- Photocell / motion sensor
- Power-line communication
- Lineswitch

#### Applications

- Parking lots
- Fascades