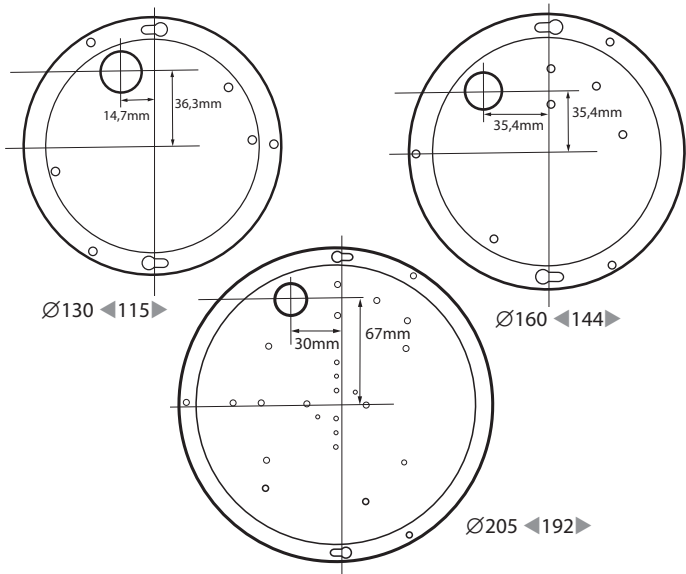
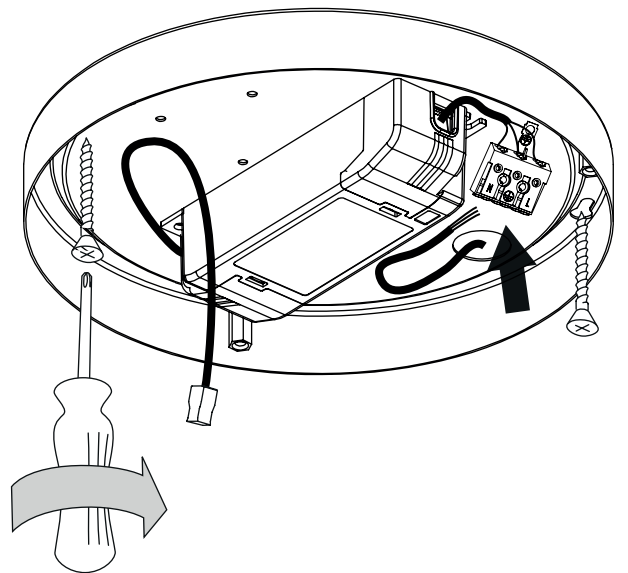


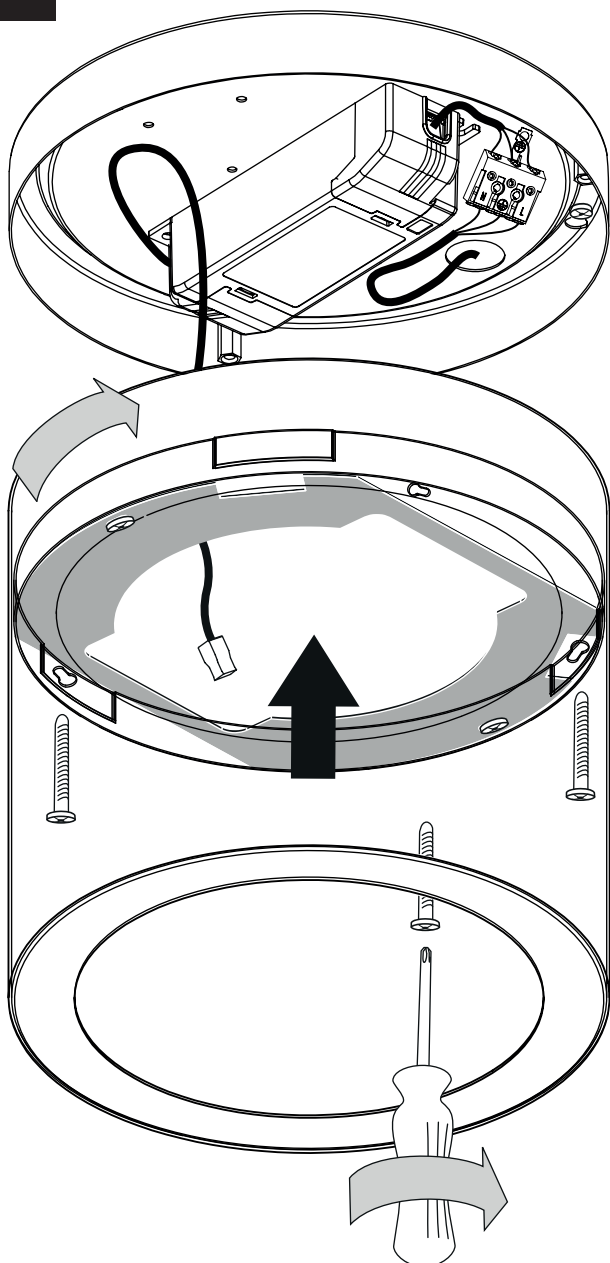
MANUAL
MARICI SURFACE MOUNTED



1



2



3

