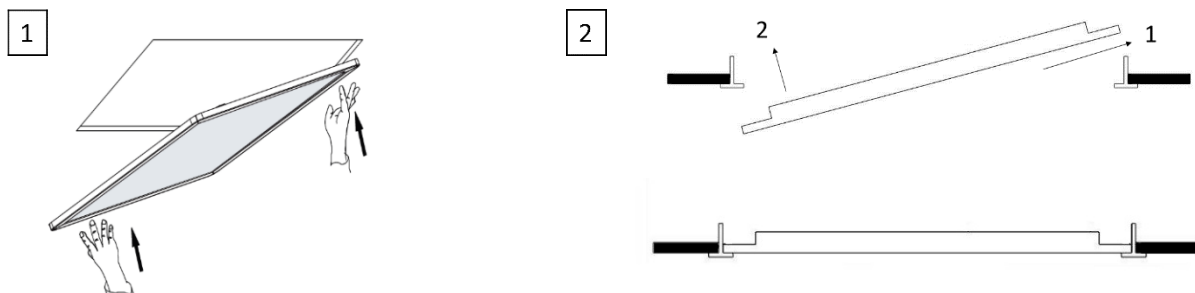


LED Panel – Installation Instructions

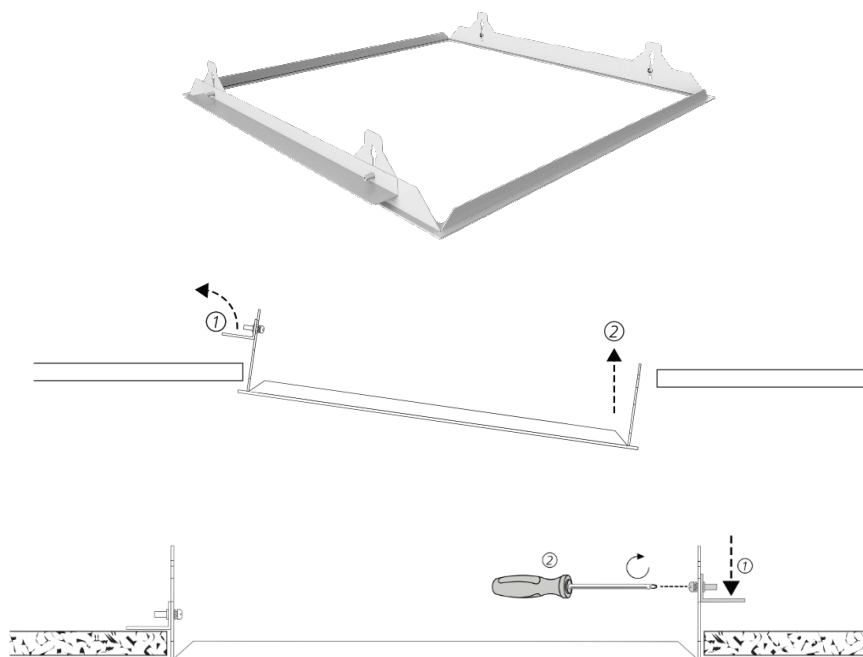
Fortimo LED Edge-Lit Panel, CertaFlux LED Edge-Lit Panel, CertaFlux LED Back-Lit panel

Mounting of the Panel in a T-bar ceiling



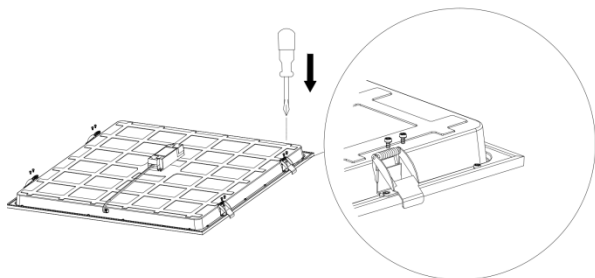
Mounting of the Panel in a plaster ceiling with the recessed mounted frame

First, fix one L-profile to the mounting frame with two screws, shift the mounting frame in the ceiling opening and fix another L-profile to the frame with two screws. Then place the Panel as in a T-bar ceiling.

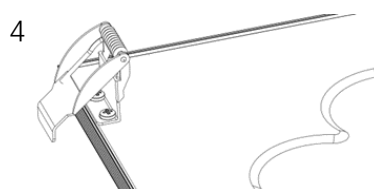
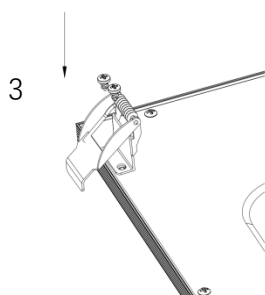
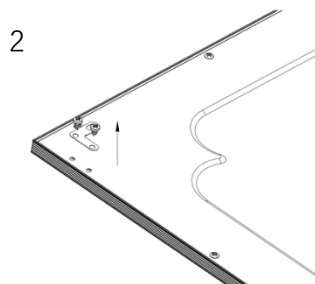
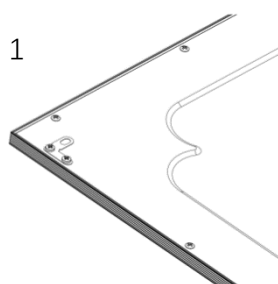


Mounting of the Panel in a plaster ceiling with recessed mounted clips

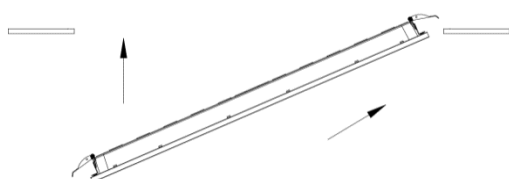
CertaFlux Back Lit Panels: Screw four clips at the corners of the Panel backside.



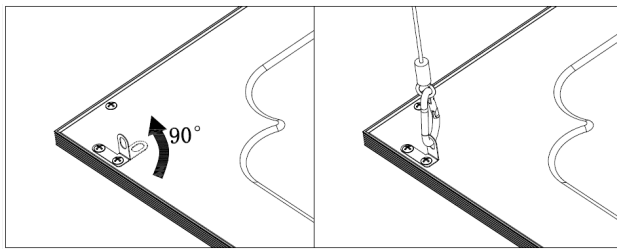
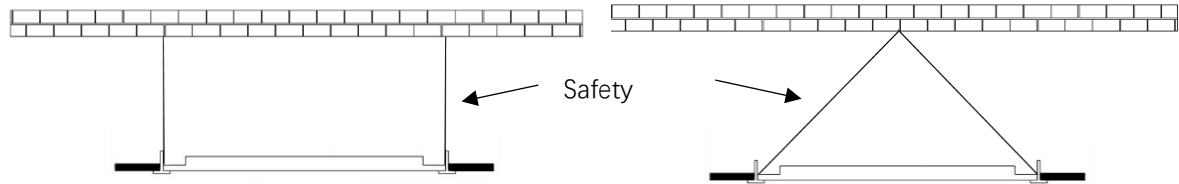
Fortimo Panels: First remove the hooks which are already in the Panel, then install clips with provided screws.



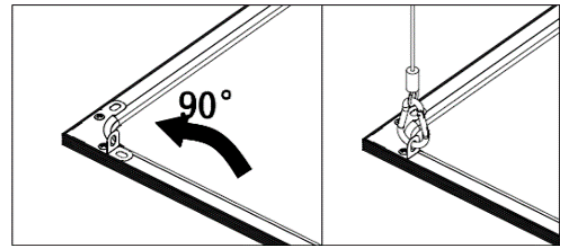
Position the clips upwards. Place the panel the same way as in a T-bar ceiling. If the panel is still above the ceiling, shift the clips in a horizontal position before landing of the panel. The clips rest on the ceiling after installation.



Fixation of the safety cables (optional)



Hooks for safety cable---Fortimo LED Panel

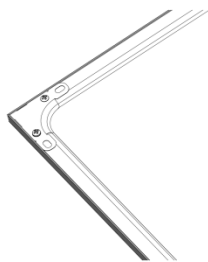


Hooks for safety cable--- CertaFlux LED Panel

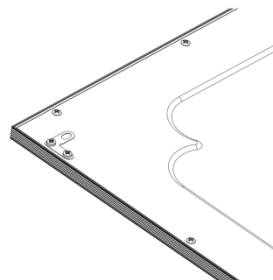
Mounting of the Panel with a pendant cable

Use a pendant cable accessory set to mount the Panel.

Edge-Lit Panels: Hooks are pre-installed at the Panel backside.

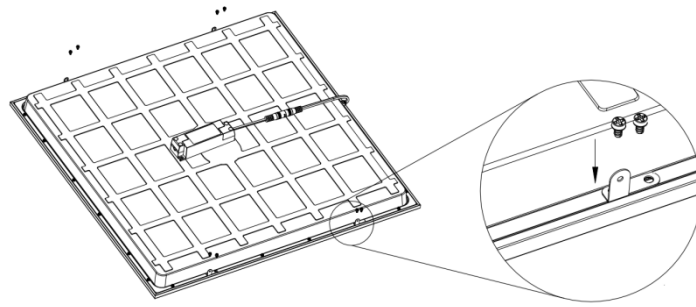


Certa

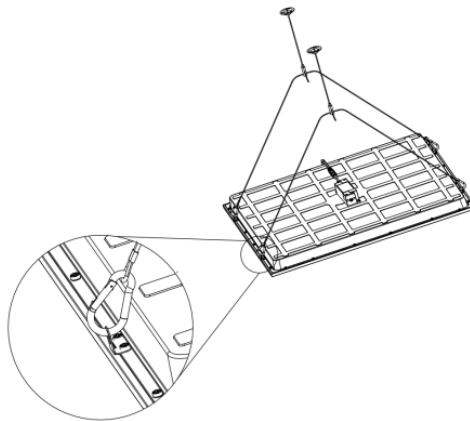
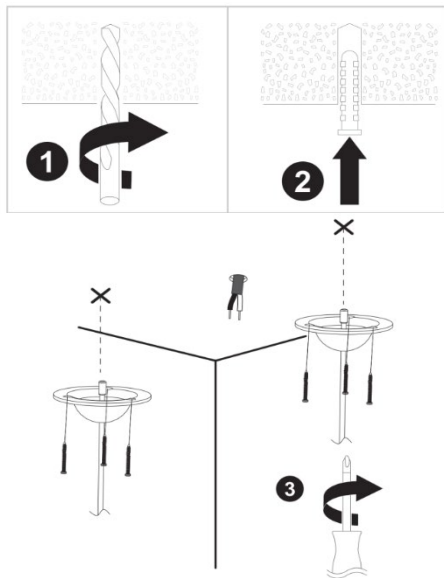


Fortimo

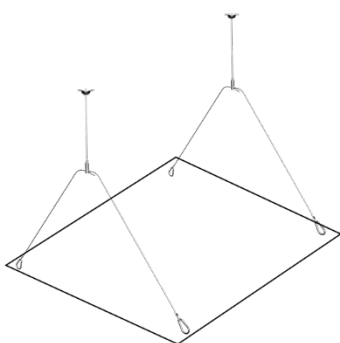
Back-Lit Panels: Hooks need to be mounted with the screws at the Panel backside.



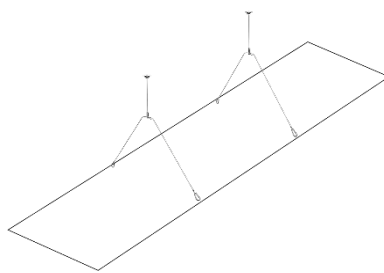
Pendant cable: Each anchor mounting bracket needs to be mounted to ceiling with three screws.



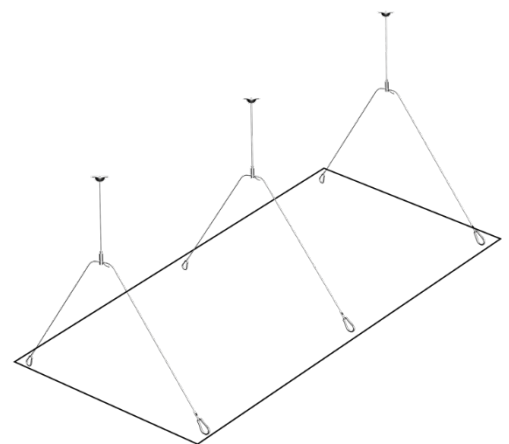
The number and position for the different Panel shapes are shown below.



60x60 Panel



30x120 Panel

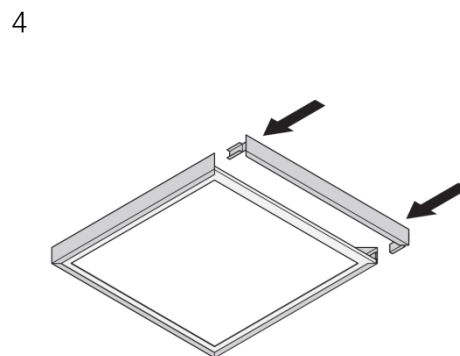
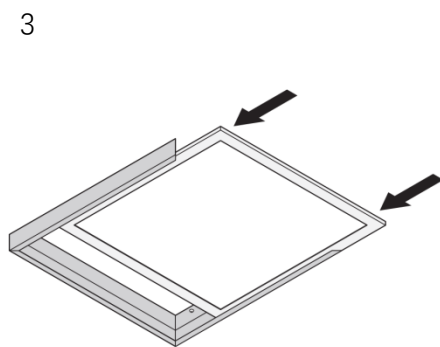
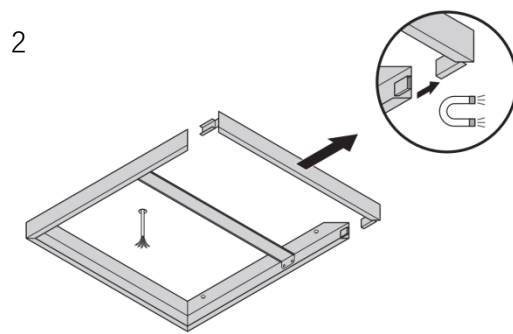
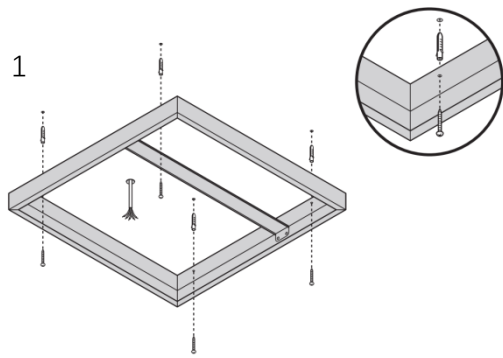
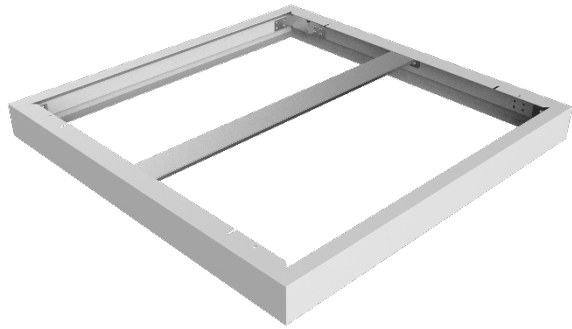


60x120 Panel

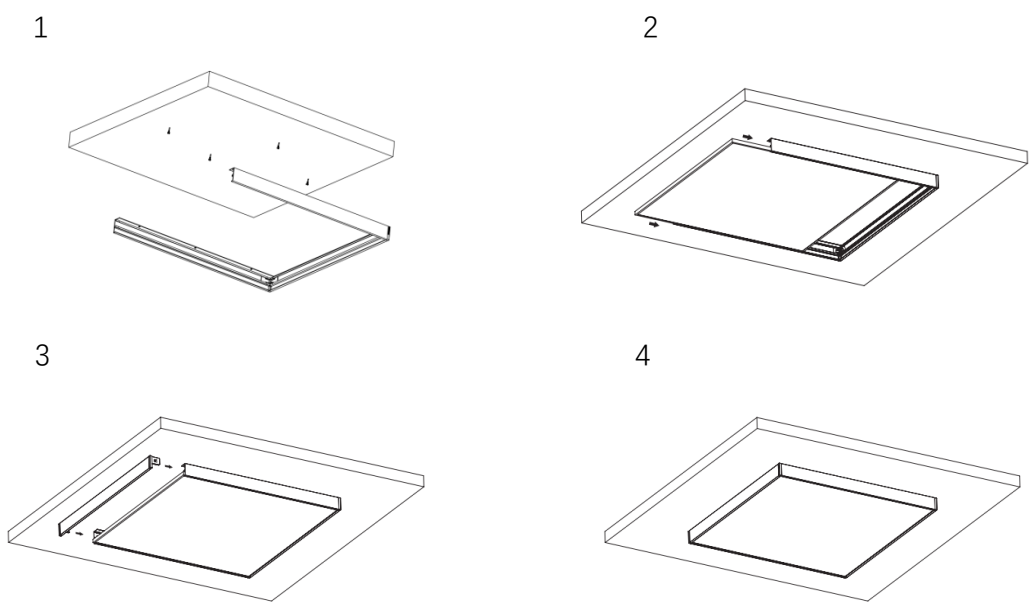
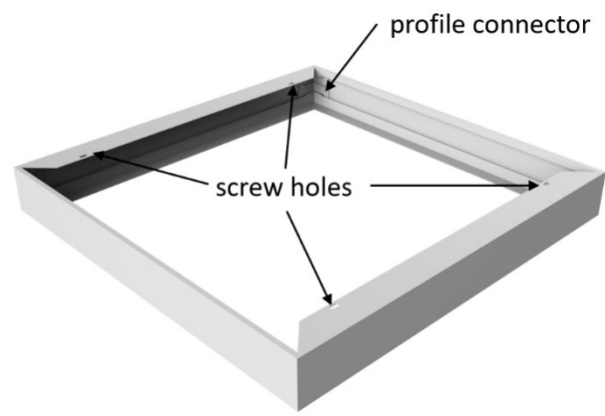
Surface Mounting of the Panel

Use a surface mounted kit to mount the Panel to a ceiling. There are two types of kits:

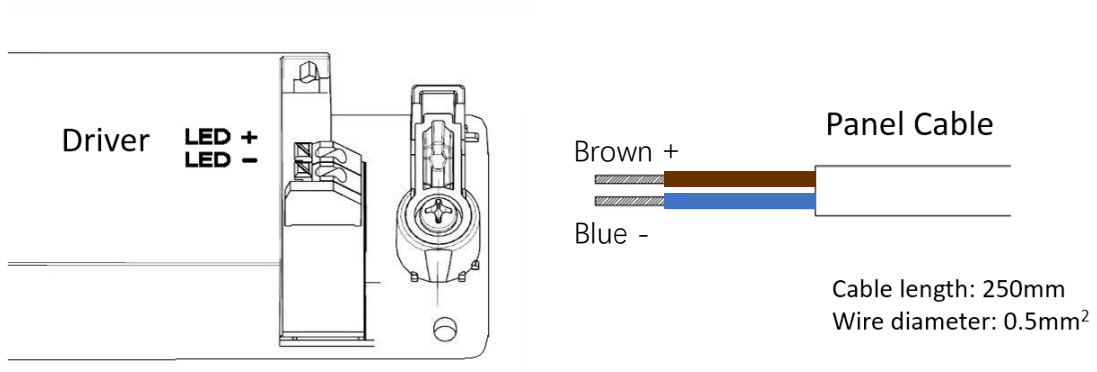
1. **Surface mounted kit (standard),** which comes in one piece. Use the four screw holes to mount the frame to the ceiling. Open one of the sides of the frame, slide in the Panel and close the frame again.



2. **Surface mounted kit basic**, consisting of four profiles and four profiles connectors. The kit has to be assembled by clicking the connectors in the profiles. Take care that the two profiles with the screw holes are opposite of each other. First assemble the two profiles with the screw holes to a third profile. Mount the U-shaped frame to the ceiling, slide in the Panel and assemble the fourth profile.



Electrical connection of the driver



Panel cable must be attached with strain relief protection



Warning

Please read these instructions carefully before attempting to install this product.

- Safety cable connection with the hook is recommended for safety purposes only. The hooks of CertaFlux Edge-Lit 30x120 and 60x120 Panels cannot be used for suspending the Panel.
- Please follow this installation guide strictly.
- The Panel can only be installed into a ceiling that is perfectly horizontal and - in case of a system ceiling - is safely suspended to a carrying structure.
- The Panel shall only be installed or replaced by a qualified electrician and connected in accordance with latest IEE electrical regulations or national requirements.
- If the external flexible cord of this Panel is damaged, it shall be exclusively replaced by the manufacturer or his service agent or a similar qualified person in order to avoid a hazard.
- The supply cord and cable provided with the Panel is intended is for indoor use only.
- This Panel is intended for indoor use only.
- In any case, insulation or other similar materials shall not cover the Panel.