

Ronde LED spotlight met uitschuifbare kop voor maximale flexibiliteit. 350° draaibaar en 55° kantelbaar. Gefacetteerde hoogglans 99,98% aluminium reflector met helder gehard glazen afscherming. Lage verblinding (UGR<17). Standaard verkrijgbaar in RAL 9003 (wit). Zeer geschikt als accent en basisverlichting in hotels, en restaurants. Wordt geleverd inclusief externe driver. Directe aansluiting op 220-240VAC. Snelle en eenvoudige montage met veren. Onderhoudsarm en hoge levensduurverwachting (50.000 uur L90B10). Kleur stabiliteit, Mac Adam <3. Vijf jaar garantie.

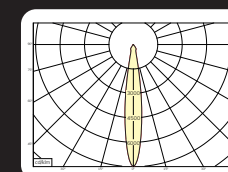
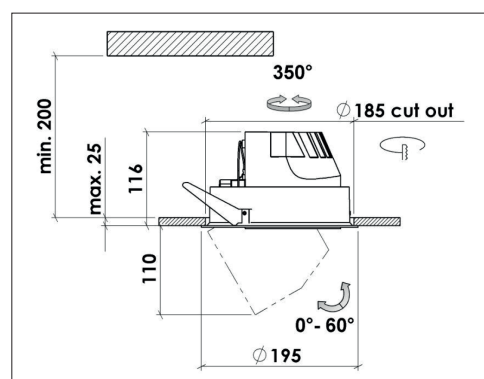
Round tiltable LED spot light with extractable luminaire head for maximum flexibility. Rotates through 350° and pivots through 55°. Facetted glossy 99,98% aluminium reflector with clear tempered glass diffuser. Low glare (UGR<17). Very suitable in hotels, bars and restaurants. Standard available in RAL 9003 (white). Delivered including external driver. Direct connection to 220-240VAC. Low maintenance and high life expectancy (50.000 hours L90B10). Colour stability, Mac Adam <3. Fast and easy mounting with springs. Five years warranty.



Wattage Watts	Kleur Colour	Lumen* Lumen*	CRI (Ra) CRI(Ra)	Graden Degree	Gewicht (kg) Weight (kg)	Artikel nr. Article no.	Dali Dali	Casambi Casambi
25w	3000k	3454	>80	15°	1,6	20070W251530	20070W251532	20070W251535
25w	3000k	3437	>80	22°	1,6	20070W252230	20070W252232	20070W252235
25w	3000k	3435	>80	24°	1,6	20070W252430	20070W252432	20070W252435
25w	3000k	3428	>80	40°	1,6	20070W254030	20070W254032	20070W254035
25w	3000k	3405	>80	65°	1,6	20070W256530	20070W256532	20070W256535
25w	4000k	3627	>80	15°	1,6	20070W251530	20070W251532	20070W251535
25w	4000k	3609	>80	22°	1,6	20070W252230	20070W252232	20070W252235
25w	4000k	3607	>80	24°	1,6	20070W252430	20070W252432	20070W252435
25w	4000k	3599	>80	40°	1,6	20070W254030	20070W254032	20070W254035
26w	4000k	3575	>80	65°	1,6	20070W256530	20070W256532	20070W256535
33w	3000k	4441	>80	15°	1,6	20070W331530	20070W331532	20070W331535
33w	3000k	4419	>80	22°	1,6	20070W332230	20070W332232	20070W332235
33w	3000k	4416	>80	24°	1,6	20070W332430	20070W332432	20070W332435
33w	3000k	4407	>80	40°	1,6	20070W334030	20070W334032	20070W334035
33w	3000k	4378	>80	65°	1,6	20070W336530	20070W336532	20070W336535
33w	4000k	4663	>80	15°	1,6	20070W331530	20070W331532	20070W331535
33w	4000k	4640	>80	22°	1,6	20070W332230	20070W332232	20070W332235
33w	4000k	4637	>80	24°	1,6	20070W332430	20070W332432	20070W332435
33w	4000k	4627	>80	40°	1,6	20070W334030	20070W334032	20070W334035
33w	4000k	4597	>80	65°	1,6	20070W336530	20070W336532	20070W336535
39w	3000k	5181	>80	15°	1,6	20070W391530	20070W391532	20070W391535
39w	3000k	5156	>80	22°	1,6	20070W392230	20070W392232	20070W392235
39w	3000k	5152	>80	24°	1,6	20070W392430	20070W392432	20070W392435
39w	3000k	5142	>80	40°	1,6	20070W394030	20070W394032	20070W394035
39w	3000k	5108	>80	65°	1,6	20070W396530	20070W396532	20070W396535
39w	4000k	5440	>80	15°	1,6	20070W391530	20070W391532	20070W391535
39w	4000k	5413	>80	22°	1,6	20070W392230	20070W392232	20070W392235
39w	4000k	5410	>80	24°	1,6	20070W392430	20070W392432	20070W392435
39w	4000k	5398	>80	40°	1,6	20070W394030	20070W394032	20070W394035
39w	4000k	5363	>80	65°	1,6	20070W396530	20070W396532	20070W396535

\* Lichtstroom van armatuur, tolerantie van +/- 10%

\* Luminaire luminous flux, tolerance of +/- 10%



20070W331530  
33w 3000K  
4441 lumen 15°