

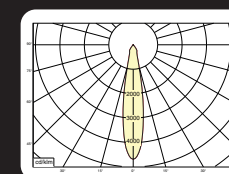
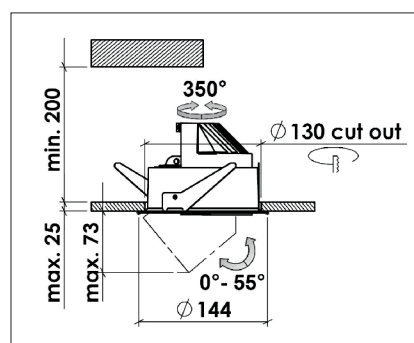
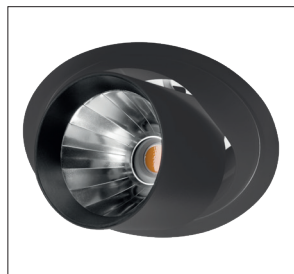
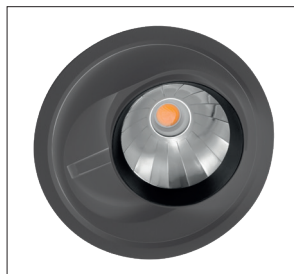
Ronde LED spotlight met uitschuifbare kop voor maximale flexibiliteit. 350° draaibaar en 55° kantelbaar. Gefacetteerde hoogglans 99,98% aluminium reflector met helder gehard glazen afscherming. Lage verblinding (UGR<17). Standaard verkrijgbaar in RAL 9006 (grijs). Zeer geschikt als accent en basisverlichting in hotels, en restaurants. Wordt geleverd inclusief externe driver. Directe aansluiting op 220-240VAC. Snelle en eenvoudige montage met veren. Onderhoudsarm en hoge levensduurverwachting (50.000 uur L90B10). Kleur stabiliteit, Mac Adam <3. Vijf jaar garantie.

Round tiltable LED spot light with extractable luminaire head for maximum flexibility. Rotates through 350° and pivots through 55°. Facetted glossy 99,98% aluminium reflector with clear tempered glass diffuser. Low glare (UGR<17). Very suitable in hotels, bars and restaurants. Standard available in RAL 9006 (grey). Delivered including external driver. Direct connection to 220-240VAC. Low maintenance and high life expectancy (50.000 hours L90B10). Colour stability, Mac Adam <3. Fast and easy mounting with springs. Five years warranty.

Wattage Watts	Kleur Colour	Lumen* Lumen*	CRI (Ra) CRI(Ra)	Graden Degree	Gewicht (kg) Weight (kg)	Artikel nr. Article no.	Dali Dali	Casambi Casambi
9w	3000k	1370	>80	19°	1,1	20068G.09.19.30	20068G.09.19.32	20068G.09.19.35
9w	3000k	1385	>80	24°	1,1	20068G.09.24.30	20068G.09.24.32	20068G.09.24.35
9w	3000k	1385	>80	33°	1,1	20068G.09.33.30	20068G.09.33.32	20068G.09.33.35
9w	3000k	1325	>80	56°	1,1	20068G.09.56.30	20068G.09.56.32	20068G.09.56.35
12w	3000k	1905	>80	19°	1,1	20068G.12.19.30	20068G.12.19.32	20068G.12.19.35
12w	3000k	1925	>80	24°	1,1	20068G.12.24.30	20068G.12.24.32	20068G.12.24.35
12w	3000k	1925	>80	33°	1,1	20068G.12.33.30	20068G.12.33.32	20068G.12.33.35
12w	3000k	1845	>80	56°	1,1	20068G.12.56.30	20068G.12.56.32	20068G.12.56.35
18w	3000k	2660	>80	19°	1,1	20068G.18.19.30	20068G.18.19.32	20068G.18.19.35
18w	3000k	2690	>80	24°	1,1	20068G.18.24.30	20068G.18.24.32	20068G.18.24.35
18w	3000k	2690	>80	33°	1,1	20068G.18.33.30	20068G.18.33.32	20068G.18.33.35
18w	3000k	2575	>80	56°	1,1	20068G.18.56.30	20068G.18.56.32	20068G.18.56.35
25w	3000k	3615	>80	19°	1,1	20068G.25.19.30	20068G.25.19.32	20068G.25.19.35
25w	3000k	3655	>80	24°	1,1	20068G.25.24.30	20068G.25.24.32	20068G.25.24.35
25w	3000k	3655	>80	33°	1,1	20068G.25.33.30	20068G.25.33.32	20068G.25.33.35
25w	3000k	3500	>80	56°	1,1	20068G.25.56.30	20068G.25.56.32	20068G.25.56.35
<hr/>								
12w	4000k	2000	>80	19°	1,1	20068G.12.19.40	20068G.12.19.42	20068G.12.19.45
12w	4000k	2020	>80	24°	1,1	20068G.12.24.40	20068G.12.24.42	20068G.12.24.45
12w	4000k	2020	>80	33°	1,1	20068G.12.33.40	20068G.12.33.42	20068G.12.33.45
12w	4000k	1935	>80	56°	1,1	20068G.12.56.40	20068G.12.56.42	20068G.12.56.45
18w	4000k	2790	>80	19°	1,1	20068G.18.19.40	20068G.18.19.42	20068G.18.19.45
18w	4000k	2820	>80	24°	1,1	20068G.18.24.40	20068G.18.24.42	20068G.18.24.45
18w	4000k	2820	>80	33°	1,1	20068G.18.33.40	20068G.18.33.42	20068G.18.33.45
18w	4000k	2700	>80	56°	1,1	20068G.18.56.40	20068G.18.56.42	20068G.18.56.45
25w	4000k	3800	>80	19°	1,1	20068G.25.19.40	20068G.25.19.42	20068G.25.19.45
25w	4000k	3840	>80	24°	1,1	20068G.25.24.40	20068G.25.24.42	20068G.25.24.45
25w	4000k	3840	>80	33°	1,1	20068G.25.33.40	20068G.25.33.42	20068G.25.33.45
25w	4000k	3675	>80	56°	1,1	20068G.25.56.40	20068G.25.56.42	20068G.25.56.45

* Lichtstroom van armatuur, tolerantie van +/- 10%

* Luminaire luminous flux, tolerance of +/- 10%



20068G.09.19.30

9w 3000K

1370 lumen 19°