

Zeer hoogwaardige krachtige high bay met hoge lichtopbrengst. Grijs gelakt stalen behuizing met decoratieve transparante Lexalite® prisma reflector (PMMA) met zeer lage verblinding (UGR<14). Unieke passieve heatpipe koeling. Hoog rendement COB afgeschermd door verwisselbare gehard glazen lens in met medium bundelbreedte. Daarnaast ook in soft focus versie zonder lens met dual satin PMMA afscherming voor zachter lichtbeeld met meer helderheid in de prismatische reflector. Zeer goed toepasbaar als krachtige decoratieve pendel in vides, hallen en showrooms. Onderhoudsarm en hoge levensduurverwachting (60.000 uur L90B10). Kleur stabiliteit, Mac Adam <3. Vijf jaar garantie.

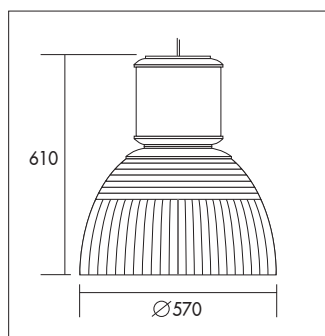
Powerful high bay with high light output. Grey painted steel housing with decorative transparent Lexalite® prismatic reflector (PMMA) with very low glare (UGR<14). Unique passive heat pipe cooling. High efficiency COB LED protected by a replaceable hardened glass lens with medium beam angle. Also available as soft focus version with dual satin PMMA diffuser for more diffuse light distribution and higher brightness in diffuser. Applicable as powerful decorative pendant in high rooms, entrance halls and showrooms. Low maintenance and high life expectancy (60.000 hours L90B10). Colour stability, Mac Adam <3. Fast and easy mounting. Five years warranty.



Wattage Watts	Kleur Colour	Lumen* Lumen*	CRI (Ra) CRI (Ra)	Graden Degrees	Gewicht (kg) Weight (kg)	Noodvoorz. (u) Emergency (h)	Artikel nr. Article no.	Dali
50w	3000k	7.350	80	60°	9	1/3	29459.503.P	29459.503.P2
50w	4000k	7.715	80	60°	9	1/3	29459.504.P	29459.504.P2
100w	3000k	11.585	80	60°	9	1/3	29459.1003.P	29459.1003.P2
100w	4000k	12.162	80	60°	9	1/3	29459.1004.P	29459.1004.P2
150w	3000k	16.040	80	60°	9	1/3	29459.1503.P	29459.1503.P2
150w	4000k	16.894	80	60°	9	1/3	29459.1504.P	29459.1504.P2
195w	3000k	19.106	80	60°	9	1/3	29459.1953.P	29459.1953.P2
195w	4000k	20.057	80	60°	9	1/3	29459.1954.P	29459.1954.P2
50w	3000k	7.413	80	70° soft	9	1/3	29459.503.PS	29459.503.PS2
50w	4000k	7.782	80	70° soft	9	1/3	29459.504.PS	29459.504.PS2
100w	3000k	11.685	80	70° soft	9	1/3	29459.1003.PS	29459.1003.PS2
100w	4000k	12.267	80	70° soft	9	1/3	29459.1004.PS	29459.1004.PS2
150w	3000k	16.179	80	70° soft	9	1/3	29459.1503.PS	29459.1503.PS2
150w	4000k	17.040	80	70° soft	9	1/3	29459.1504.PS	29459.1504.PS2
195w	3000k	19.270	80	70° soft	9	1/3	29459.1953.PS	29459.1953.PS2
195w	4000k	20.229	80	70° soft	9	1/3	29459.1954.PS	29459.1954.PS2

* Lichtstroom van armatuur, tolerantie van +/- 10%

* Luminaire luminous flux, tolerance of +/- 10%

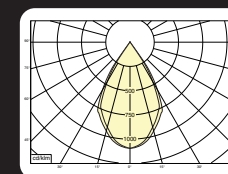


Opties:

- Driver, LED en interne bedrading kunnen spatwaterdicht worden uitgevoerd (IP44 only for lens)

Options:

- Driver, LED and internal wiring can be protected against water splashes (IP44)



29459.503.P

50W 3000k 7.350lm
ηLB 82%