

# Agil Tilt 152 WHITE



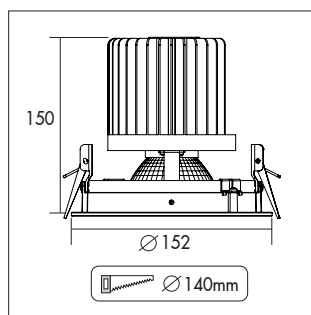
Ronde kantelbare LED downlight voor krachtige accentverlichting. 350° draaibaar en 25° kantelbaar. Gefacetteerde hoogglans 99,98% aluminium reflector met helder gehard glazen afscherming. Hierdoor zeer geschikt als accent verlichting in hotels en winkels. Verkrijgbaar in wit (RAL 9003) en zwart (RAL 9005). Wordt geleverd inclusief externe driver. Directe aansluiting op 220-240VAC. Onderhoudsarm en hoge levensduurverwachting (50.000 uur L90B10). Kleur stabiliteit, Mac Adam <3. Snelle en eenvoudige montage met veren. Vijf jaar garantie.

Round tiltable LED downlight for powerful accent lighting. Rotates through 350° and pivots through 25°. Faceted glossy 99,98% aluminium reflector with clear tempered glass diffuser. Very suitable as spot light in shops, hotels and restaurants. Standard available in RAL 9003 (white) or RAL 9005 (black). Delivered including external driver. Direct connection to 220-240VAC. Low maintenance and high life expectancy (50.000 hours L90B10). Colour stability, Mac Adam <3. Fast and easy mounting with springs. Five years warranty.

Wattage Watts	Kleur Colour	Lumen* Lumen*	CRI CRI	Graden Degree	Gewicht (kg) Weight (kg)	Noodvoorz. (u) Emergency (h)	Artikel nr. Article no.	1-10V 1-10V	Dali Dali
9w	3000k	1115	>80	10°	1,6	1/3	23002W.0910.30	23002W.0910.31	23002W.0910.32
13w	3000k	1470	>80	10°	1,6	1/3	23002W.1310.30	23002W.1310.31	23002W.1310.32
19w	3000k	1945	>80	10°	1,6	1/3	23002W.1910.30	23002W.1910.31	23002W.1910.32
28w	3000k	2430	>80	10°	1,6	1/3	23002W.2810.30	23002W.2810.31	23002W.2810.32
9w	3000k	1170	>80	15°	1,6	1/3	23002W.0915.30	23002W.0915.31	23002W.0915.32
12w	3000k	1585	>80	15°	1,6	1/3	23002W.1215.30	23002W.1215.31	23002W.1215.32
18w	3000k	2185	>80	15°	1,6	1/3	23002W.1815.30	23002W.1815.31	23002W.1815.32
25w	3000k	2935	>80	15°	1,6	1/3	23002W.2515.30	23002W.2515.31	23002W.2515.32
33w	3000k	3635	>80	15°	1,6	1/3	23002W.3315.30	23002W.3315.31	23002W.3315.32
39w	3000k	4125	>80	15°	1,6	1/3	23002W.3915.30	23002W.3915.31	23002W.3915.32
9w	3000k	1090	>80	30°	1,6	1/3	23002W.0930.30	23002W.0930.31	23002W.0930.32
12w	3000k	1475	>80	30°	1,6	1/3	23002W.1230.30	23002W.1230.31	23002W.1230.32
18w	3000k	2035	>80	30°	1,6	1/3	23002W.1830.30	23002W.1830.31	23002W.1830.32
25w	3000k	2735	>80	30°	1,6	1/3	23002W.2530.30	23002W.2530.31	23002W.2530.32
33w	3000k	3385	>80	30°	1,6	1/3	23002W.3330.30	23002W.3330.31	23002W.3330.32
39w	3000k	3845	>80	30°	1,6	1/3	23002W.3930.30	23002W.3930.31	23002W.3930.32
9w	3000k	995	>80	50°	1,6	1/3	23002W.0950.30	23002W.0950.31	23002W.0950.32
12w	3000k	1345	>80	50°	1,6	1/3	23002W.1250.30	23002W.1250.31	23002W.1250.32
18w	3000k	1855	>80	50°	1,6	1/3	23002W.1850.30	23002W.1850.31	23002W.1850.32
25w	3000k	2495	>80	50°	1,6	1/3	23002W.2550.30	23002W.2550.31	23002W.2550.32
33w	3000k	3085	>80	50°	1,6	1/3	23002W.3350.30	23002W.3350.31	23002W.3350.32
39w	3000k	3510	>80	50°	1,6	1/3	23002W.3950.30	23002W.3950.31	23002W.3950.32

\* Lichtstroom van armatuur, tolerantie van +/- 10%

\* Luminaire luminous flux, tolerance of +/- 10%



SPOTS SPOTS

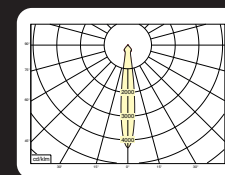


## Opties:

- 1,5 meter snoer met 3-polige Schuko stekker
- 0,5 meter snoer + GST18i3® connector (niet - dimbaar)
- 0,5 meter snoer + GST18i3® and BST14i2 connector (dim)
- 0,5 meter snoer + GST18i5® Blue connector male (dim)
- 2700K, 3500k, 5000k of hogere CRI waarde 90/97
- Vlees, brood of Crisp White

## Options:

- 1,5m cable with Schuko 3-pin plug
- 0,5 meter cable + GST18i3® connector (non - dimmable)
- 0,5 meter cable + GST18i3® and BST14i2 connector (dim)
- 0,5 meter cable + GST18i5® Blue connector male (dim)
- 2700k, 3500k, 5000k or higher CRI values 90/97
- Meat, bread or Crisp White



23002W.1815.30

18w 3000k 15° 2185lm  
ηLB 73%

melis lighting

Wattage Watts	Kleur Colour	Lumen* Lumen*	CRI CRI	Graden Degree	Gewicht (kg) Weight (kg)	Noodvoorz. (u) Emergency (h)	Artikel nr. Article no.	1-10V 1-10V	Dali Dali
9w	4000k	1170	>80	10°	1,6	1/3	23002W.0910.40	23002W.0910.41	23002W.0910.42
13w	4000k	1540	>80	10°	1,6	1/3	23002W.1310.40	23002W.1310.41	23002W.1310.42
19w	4000k	2045	>80	10°	1,6	1/3	23002W.1910.40	23002W.1910.41	23002W.1910.42
28w	4000k	2550	>80	10°	1,6	1/3	23002W.2810.40	23002W.2810.41	23002W.2810.42
9w	4000k	1225	>80	15°	1,6	1/3	23002W.0915.40	23002W.0915.41	23002W.0915.42
12w	4000k	1670	>80	15°	1,6	1/3	23002W.1215.40	23002W.1215.41	23002W.1215.42
18w	4000k	2295	>80	15°	1,6	1/3	23002W.1815.40	23002W.1815.41	23002W.1815.42
25w	4000k	3090	>80	15°	1,6	1/3	23002W.2515.40	23002W.2515.41	23002W.2515.42
33w	4000k	3820	>80	15°	1,6	1/3	23002W.3315.40	23002W.3315.41	23002W.3315.42
39w	4000k	4345	>80	15°	1,6	1/3	23002W.3915.40	23002W.3915.41	23002W.3915.42
9w	4000k	1145	>80	30°	1,6	1/3	23002W.0930.40	23002W.0930.41	23002W.0930.42
12w	4000k	1560	>80	30°	1,6	1/3	23002W.1230.40	23002W.1230.41	23002W.1230.42
18w	4000k	2135	>80	30°	1,6	1/3	23002W.1830.40	23002W.1830.41	23002W.1830.42
25w	4000k	2875	>80	30°	1,6	1/3	23002W.2530.40	23002W.2530.41	23002W.2530.42
33w	4000k	3560	>80	30°	1,6	1/3	23002W.3330.40	23002W.3330.41	23002W.3330.42
39w	4000k	4045	>80	30°	1,6	1/3	23002W.3930.40	23002W.3930.41	23002W.3930.42
9w	4000k	1045	>80	50°	1,6	1/3	23002W.0950.40	23002W.0950.41	23002W.0950.42
12w	4000k	1420	>80	50°	1,6	1/3	23002W.1250.40	23002W.1250.41	23002W.1250.42
18w	4000k	1945	>80	50°	1,6	1/3	23002W.1850.40	23002W.1850.41	23002W.1850.42
25w	4000k	2625	>80	50°	1,6	1/3	23002W.2550.40	23002W.2550.41	23002W.2550.42
33w	4000k	3245	>80	50°	1,6	1/3	23002W.3350.40	23002W.3350.41	23002W.3350.42
39w	4000k	3690	>80	50°	1,6	1/3	23002W.3950.40	23002W.3950.41	23002W.3950.42

\* Lichtstroom van armatuur, tolerantie van +/- 10%

\* Luminaire luminous flux, tolerance of +/- 10%

