

Rond LED armatuur voor wand of plafondmontage, gemaakt uit zwart gelakt (RAL 9005) aluminium (optioneel wit RAL 9003 of zilvergrijs RAL 9006). Homogeen verlichte diffuser van dual satin opaal PMMA of Microprisma. Gelijke licht dichtheid tussen verschillende afmetingen. De EasySense-sensor combineert beweging- en daglichtregeling. Tot 40 sensoren kunnen draadloos worden gegroepeerd. Geschikt voor toepassing in onder andere winkelcentra, culturele gebouwen of kantoren. Onderhoudsarm en hoge levensduurverwachting (50.000 uur L90B10). Kleur stabiliteit, Mac Adam <3. Vijf jaar garantie.

Round LED luminaire for wall or ceiling, made of black (RAL 9005) painted aluminium (optionally white RAL 9003 or silver grey RAL 9006). Completely homogeneously illuminated with dual satinised PMMA cover or micro prisma diffuser. The EasySense sensor combines occupancy sensing, daylight harvesting and task tuning. Up to 40 sensors can be grouped wireless. Suitable for shopping centres, social and cultural amenities or representation areas. Low maintenance and high life expectancy (50.000 hours L90B10). Colour stability, Mac Adam <3. Warranty five years.

Micro Prisma / Micro Prism

Wattage Wattage	Kleur Colour	Diameter (mm) Diameter (mm)	Lumen* Lumen*	kg kg	Noodvoorz. (u) Emergency (h)	Artikelnr. Article number	Dali Dali	Casambi Casambi	EasySense EasySense
18w	3000k	350	2340	3,2	1/3	26017BM.35.30	26017BM.35.32	26017BM.35.35	26017BM.35.37**
36w	3000k	600	4680	4,4	1/3	26017BM.60.30	26017BM.60.32	26017BM.60.35	26017BM.60.37
65w	3000k	900	8450	6,5	1/3	26017BM.90.30	26017BM.90.32	26017BM.90.35	26017BM.90.37
90w	3000k	1200	11.700	9,0	1/3	26017BM.120.30	26017BM.120.32	26017BM.120.35	26017BM.120.37
18w	4000k	350	2455	3,2	1/3	26017BM.35.40	26017BM.35.42	26017BM.35.45	26017BM.35.47**
36w	4000k	600	4915	4,4	1/3	26017BM.60.40	26017BM.60.42	26017BM.60.45	26017BM.60.47
65w	4000k	900	8870	6,5	1/3	26017BM.90.40	26017BM.90.42	26017BM.90.45	26017BM.90.47
90w	4000k	1200	12.285	9,0	1/3	26017BM.120.40	26017BM.120.42	26017BM.120.45	26017BM.120.47

Opaal / Opal

Wattage Wattage	Kleur Colour	Diameter (mm) Diameter (mm)	Lumen* Lumen*	kg kg	Noodvoorz. (u) Emergency (h)	Artikelnr. Article number	Dali Dali	Casambi Casambi	EasySense EasySense
18w	3000k	350	2340	3,2	1/3	26017BOP.35.30	26017BOP.35.32	26017BOP.35.35	26017BOP.35.37**
36w	3000k	600	4680	4,4	1/3	26017BOP.60.30	26017BOP.60.32	26017BOP.60.35	26017BOP.60.37
65w	3000k	900	8450	6,5	1/3	26017BOP.90.30	26017BOP.90.32	26017BOP.90.35	26017BOP.90.37
90w	3000k	1200	11.700	9,0	1/3	26017BOP.120.30	26017BOP.120.32	26017BOP.120.35	26017BOP.120.37
18w	4000k	350	2455	3,2	1/3	26017BOP.35.40	26017BOP.35.42	26017BOP.35.45	26017BOP.35.47**
36w	4000k	600	4915	4,4	1/3	26017BOP.60.40	26017BOP.60.42	26017BOP.60.45	26017BOP.60.47
65w	4000k	900	8870	6,5	1/3	26017BOP.90.40	26017BOP.90.42	26017BOP.90.45	26017BOP.90.47
90w	4000k	1200	12.285	9,0	1/3	26017BOP.120.40	26017BOP.120.42	26017BOP.120.45	26017BOP.120.47

W=wit / B=zwart / G=grijs

W=white / B=black / G=grey

* Lichtstroom van armatuur, tolerantie van +/- 10%

* Luminaire luminous flux, tolerance of +/- 10%

** EasySense diameter 400mm

** EasySense diameter 400mm

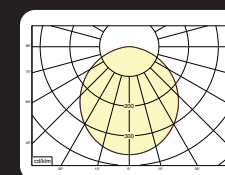
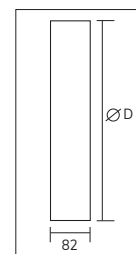
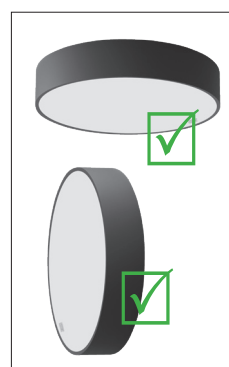
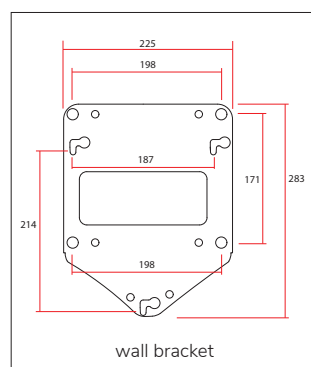
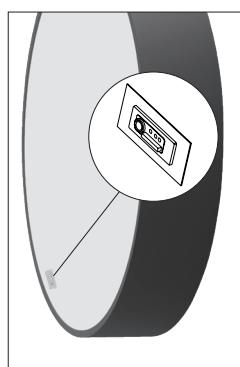
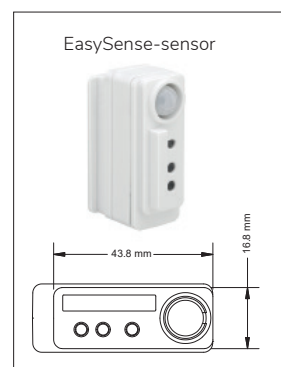


Opties:

- Geïntegreerde bewegingssensor
- EasySense-sensor

Options:

- Integrated motionsensor
- EasySense-sensor



26017BM.35.30
18w 3000K 2340lm
ηLB 100%